



Standard Features

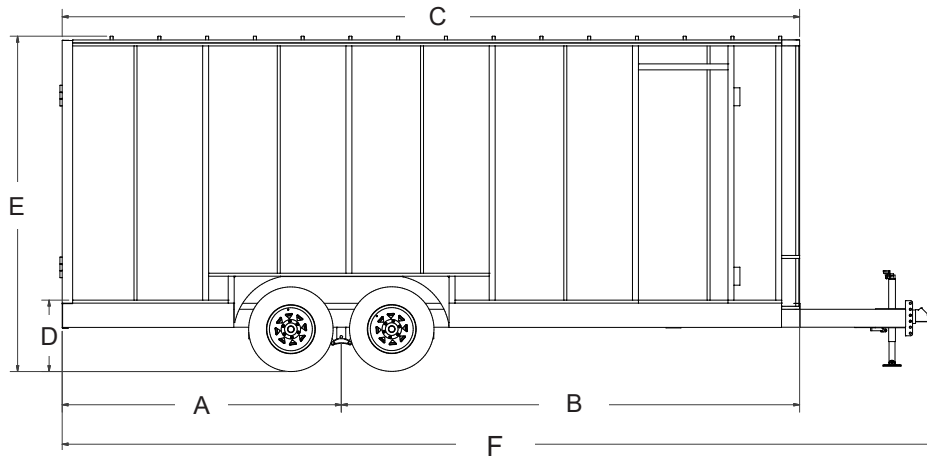
- HSS Structural Tubing Frame, Floor, Wall, Roof
- Cambered Radius Roof Bows
- Aluminum Extrusion Trim Top And Bottom
- Screwless VHB Bonded Painted Aluminum Exterior Panels
- Fully Enclosed Wiring
- Led Exterior And Interior Lights
- One-Piece Aluminum Roof
- 4' Aluminum Barlocks
- Side Vent
- Zinc Coated Hardware

Specifications

Axle:	(2) 5,200 lb. Lippert Spring	Crossmember:	Steel HSS 2.0" X 2.0"
Brakes:	Electric Self-Adjusting	Floor:	3/4" Plywood
Coupler:	21,000 lb. Demco Adjustable	Walls:	3/8" Plywood
Jack:	5,000 lb. Top-Wind	Wheels:	225/75R15 D Steel
Side Door:	36" x 72" with RV Latch	Electric Plug:	7 Wire RV
Floor D-Rings:	4,080 lb.	Ramp Rating:	2,500 lb. Midspan
Main Rails:	Steel HSS 6.0" X 2.0"		

Options

Rear Door	
Ramp	Barn Style



Dimensions

Model	A	B	C	D	E	F
LARCT52-820F-78	93 1/2"	153 1/2"	247"	21.6875"	104 1/8"	292 5/8"
LARCT52-820F-86	93 1/2"	153 1/2"	247"	21.6875"	112 1/8"	292 5/8"
LARCT52-824F-78	113 1/2"	181 1/2"	295"	21.6875"	104 1/8"	340 5/8"
LARCT52-824F-86	113 1/2"	181 1/2"	295"	21.6875"	112 1/8"	340 5/8"
LARCT52-822V-78	93 1/2"	170 11/16"	264 3/16"	21.6875"	104 1/8"	292 5/8"
LARCT52-822V-86	93 1/2"	170 11/16"	264 3/16"	21.6875"	112 1/8"	292 5/8"
LARCT52-826V-78	113 1/2"	198 11/16"	312 3/16"	21.6875"	104 1/8"	340 5/8"
LARCT52-826V-86	113 1/2"	198 11/16"	312 3/16"	21.6875"	112 1/8"	340 5/8"

Model	Rear Door Entrance	Space Between Fenders
LARCT52-820F-78	87 1/8"W X 72 11/16"H BARN 87 1/8"W X 74 11/16"H RAMP	81"
LARCT52-820F-86	87 1/8"W X 80 11/16"H BARN 87 1/8"W X 82 11/16"H RAMP	81"
LARCT52-824F-78	87 1/8"W X 72 11/16"H BARN 87 1/8"W X 74 11/16"H RAMP	81"
LARCT52-824F-86	87 1/8"W X 80 11/16"H BARN 87 1/8"W X 82 11/16"H RAMP	81"
LARCT52-822V-78	87 1/8"W X 72 11/16"H BARN 87 1/8"W X 74 11/16"H RAMP	81"
LARCT52-822V-86	87 1/8" W X 80 11/16"H BARN 87 1/8"W X 82 11/16"H RAMP	81"
LARCT52-826V-78	87 1/8"W X 72 11/16"H BARN 87 1/8"W X 74 11/16"H RAMP	81"
LARCT52-826V-86	87 1/8"W X 80 11/16"H BARN 87 1/8"W X 82 11/16"H RAMP	81"

Model	Description	Net Weight	GVWR	Payload Cap.
LARCT52-820F-78	8' x 20' x 78" wall height, 5,200 lb. Tandem Axle Flat Nose	3,073 lb.	11,400 lb.	8,327 lb.
LARCT52-820F-86	8' x 20' x 86" wall height, 5,200 lb. Tandem Axle Flat Nose	3,183 lb.	11,400 lb.	8,217 lb.
LARCT52-824F-78	8' x 24' x 78" wall height, 5,200 lb. Tandem Axle Flat Nose	3,669 lb.	11,400 lb.	7,731 lb.
LARCT52-824F-86	8' x 24' x 86" wall height, 5,200 lb. Tandem Axle Flat Nose	3,779 lb.	11,400 lb.	7,621 lb.
LARCT52-822V-78	8' x 22' x 78" wall height, 5,200 lb. Tandem Axle V-Nose	3,304 lb.	11,400 lb.	8,096 lb.
LARCT52-822V-86	8' x 22' x 86" wall height, 5,200 lb. Tandem Axle V-Nose	3,403 lb.	11,400 lb.	7,997 lb.
LARCT52-826V-78	8' x 26' x 78" wall height, 5,200 lb. Tandem Axle V-Nose	3,940 lb.	11,400 lb.	7,460 lb.
LARCT52-826V-86	8' x 26' x 86" wall height, 5,200 lb. Tandem Axle V-Nose	4,050 lb.	11,400 lb.	7,350 lb.



Specs are subject to change without notice. Please contact Southland Trailer Corp Product Specialist for price confirmation on all Products. - Revised June 2025